

# M3 Charging Holster

## User Guide



Product Model:  
A-CHH-ATYP-150-R00

Compatible Device:  
M3 RED, GREEN, SKY and ORANGE

Version 2.1  
Released in March 2013

# Contents

<b>Copyright and Agreement .....</b>	<b>3</b>
<b>Notice .....</b>	<b>4</b>
<b>Warnings and Cautions for Safety. 6</b>	
<b>1. Checklist .....</b>	<b>8</b>
<b>2. Usage .....</b>	<b>9</b>
Description .....	9
Specification .....	11
How to use .....	12
<b>Services and Support .....</b>	<b>13</b>

# Copyright and Agreement in Usage

All contents of this user manual are protected by the copyright laws, and M3 Mobile Co., Ltd. owns all rights related to them.

Any part of this document cannot be copied, reproduced, modified, or translated to other languages without the prior written consent of M3 Mobile.

The contents of this user manual were written based on the “current state” of the product, and the details of this manual are subject to change without the prior notice.

M3 Mobile does not provide any guarantee including the implied guarantee on the product’s characteristics in this user manual and suitability for special purposes, and any other guarantees not limited to them.

Microsoft, Windows, MS Office, Outlook, ActiveSync, Internet Explorer, Windows Logo, and Windows CE, Windows Mobile Logos are registered trademarks or trademarks of Microsoft in the USA or other countries. The license for OEM of Microsoft products was provided by Microsoft Licensing Inc., subsidiary company of Microsoft.

M3 Charging Holster is a trademark of M3 Mobile.

All product names and services used in the manual and product are company names, service marks, trademarks, or registered trademarks of the corresponding right owners.

# Notice – General Notices

The contents of this user manual were made based on the “current state” of the product, and this manual may contain technical and editing errors or omissions.

When separate application programs are developed and provided by the product providers using the product, refer to the program user’s manual provided by the product providers.

The companies that produce separate application programs besides the basic installation programs must include the contact telephone number for inquiring about these programs on the product, program, or product box separately when distributing the equipment.

M3 Mobile does not guarantee the quality of the programs produced by third party software companies installed after the release from the factory of M3 mobile.

M3 Mobile may request programs from the program manufacturers in order to guarantee the quality of the product to meet the requests of mobile network service providers.

# Notice – Revision History

## **Version 2.1 – March, 2013**

- Change address and M3 Mobile technical support webpage

## **Version 2.0 – Feb, 2011**

- Second release of user manual for renewal charging holster.

## **Version 1.0 – May, 2010**

- First release of printed version.

# Warnings and Cautions for Safety

## Before You Begin

Please read the warnings and cautions for safety carefully before you begin to avoid any damages or accidents. If you are not certain on any information given in this manual, please contact your supplier.

## Customer Cautions

If the device is lost or stolen, then immediately report the incident to the service provider.

Refrain from using the device while driving.

When service for the product is required, request services through the designated service center of M3 Mobile.

For inquires about the application programs and other work programs besides the hardware and the basic installation, directly contact the corresponding program manufacturers.

Do not use any battery adapter or accessories other than the designated ones provided with the product.

Free warranty service may not be allowed if failures occur due to unauthorized use or misuse of the product.



# Warnings and Cautions for Safety – Cntd.

## **Cautions in Carrying and Storing**

Do not use the product in high temperature or high humidity environments as this may quickly cause damage to the product.

The product was designed to be suitable for work environments, but avoid impacts or dropping the product. This may cause fatal damage to the product.

Fully charge the battery before using the product for the first time.

## **Do not modify the product**

Do not try to modify the product by any means.

Modifications may cause fire, injury, electric shock, or serious damage to the equipment and users.

The warranty service is not provided for troubles due to unauthorized modification.

# 1. Checklist

Thank you for selecting M3 Charging Holster. This guide will help you on basic usage of the product. Please check if all the contents shown below are nearby for use. Power Supply is needed for charging.



If you don't have everything, contact your supplier immediately.



## Caution

Please use the correct power supply provided by M3 Mobile. Compatibility with other power supply source is not guaranteed.

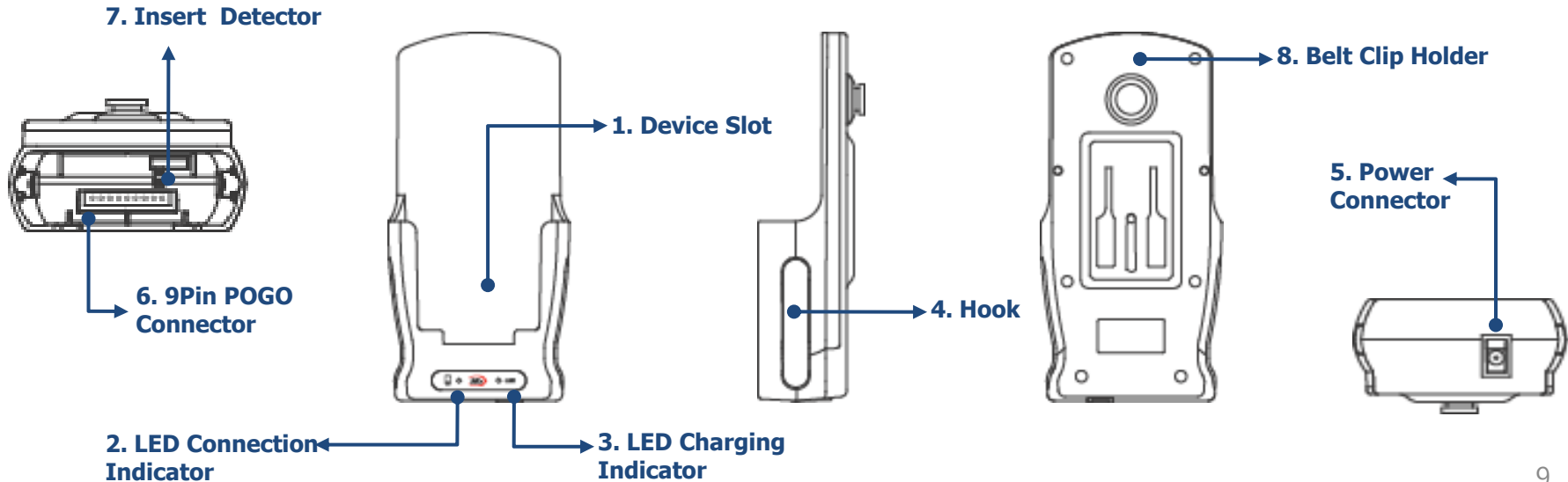


# 2. Usage – Description

**A-CHH-ATYP-150-R00** is one of the M3 Mobile's optional accessories for convenience of charging a PDA.

## Description

Refer to next images ([A-CHH-ATYP-150-R00](#)) for Charging Holster parts and descriptions.



## 2. Usage – Description continued.

- 1. Device Slot** – A PDA slides into the slot for charging. Please note the sliding direction.
- 2. LED Connection Indicator** – Connection status of a PDA and the Charging Holster is displayed. Note that the LED on the PDA will show the charging status of PDA.

LED Color	Meaning
RED Blink	The Charging Holster is discharged.
GREEN	PDA is connected to the Charging Holster and being charged.

- 3. LED Charging Indicator** – Charging status of the Charging Holster is displayed.

LED Color	Meaning
RED	The Charging Holster is being charged.
GREEN	The Charging Holster is fully charged.

- 4. Hook** – Press and hold to slide out PDA from Charging Holster.
- 5. Power Connector** – DC power supply connector.
- 6. POGO Pin Connector** – Used for charging a PDA.

1	2	3	4	5	6	7	8	9
USB D-	USB D+	USB VBUS	COM6_DET (N/A)	RXD (N/A)	TXD (N/A)	USB ID	GND	5V

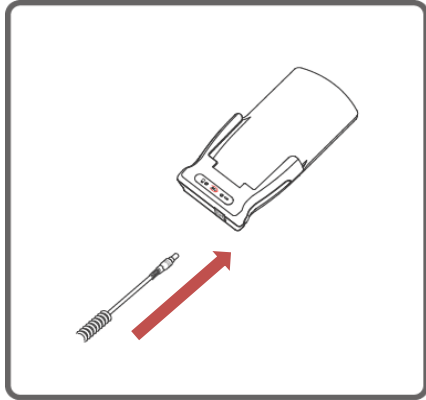
- 7. Insert Detector** – Detects the PDA insertion so that the holster starts charging the PDA.
- 8. Belt Clip Holder** – Belt clip fits on this holder for portable PDA charging.

## 2. Usage – Specification

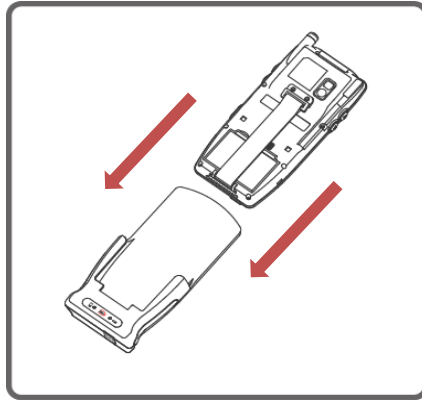
Model	Charging Holster
Compatible PDA(s)	M3 RED, GREEN, SKY and ORANGE
Internal Battery	4,500mAh
Charging Period	<ul style="list-style-type: none"><li>▪ Holster – About five hours and thirty minutes</li><li>▪ PDA – About five hours</li><li>▪ Holster &amp; PDA – About five hours each</li></ul> Note that a PDA will be charged first and then the holster battery will be charged.
Connection LED	<ul style="list-style-type: none"><li>▪ Red blink - The Charging Holster is discharged.</li><li>▪ Green - Connected between the PDA and the Charging Holster</li></ul>
Charging LED	<ul style="list-style-type: none"><li>▪ Red – Charging</li><li>▪ Green – Fully Charged</li></ul>
Adapter Input	AC 100 ~ 240V
Adapter Output	DC 9.0V / 3A
Power Connector	DC Jack Type
Charging Holster/PDA connector	9 PIN POGO Connector. Refer to 'Usage – Description No.6 Pin Connector' for pin I/O information.

## 2. Usage – How to use

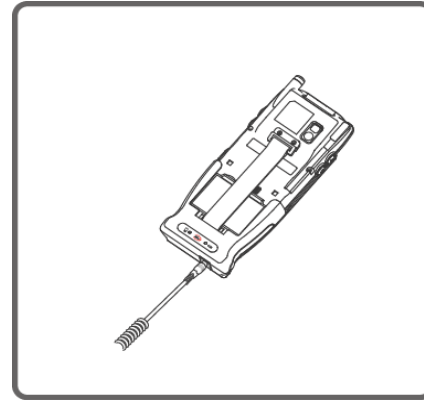
### How to use



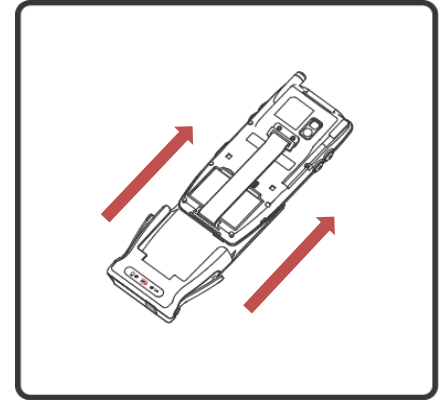
Step 1. Plug in the AC adaptor plug to wall jack and DC Jack to power connector of charging holster.



Step 2-1. Reversely slide in PDA to the Charging Holster. It clicks when a PDA is on the right position.



Step 2-2. In case of charging a PDA and the charging holster together, PDA will be charged first.



Step 3. After use, press and hold the Hook to slide out the PDA from Charging Holster.

# Services and Support

Should you require any services or technical support on M3 Mobile's products, contact your supplier or visit M3 Mobile technical support webpage <http://itc.m3mobile.net>. Desired or relevant manuals can be downloaded from **Knowledge Center** or **FAQ** in technical support webpage.

For DOA or RMA, please send the defective product to suitable address **AFTER** consulting the supplier.

## **M3 Mobile Co., Ltd.**

### **Headquarter & Service Center**

M3 Bldg., 735-45,  
Yeoksam-Dong, Gangnam-Gu,  
Seoul, 135-080, Korea  
Tel: +82 2 574 0037 Fax: +82 2 556 0156

### **Service Center**

Chun-ui Techno Park 201-610,  
202, Chun-ui Dong, Won-Mi gu, Buchoen,  
Gyeonggi Do, Korea , 420-857  
Tel: +82 32 623 0037 Fax: +82 32 655 0884

**Thank you for choosing M3 Mobile's product!**