

# **M3 UL20 Series**

Full Touch Ultra-Rugged Computer

## **Accessories Specification**

---

## Revision

---

Release date of version 1.0: Dec. 2019

- Initial distribution

Release date of version 1.1: Feb. 2020

- Rename Pistol Grip to Trigger Handle

# Table of Contents

---

## Contents

1.	2 Slot Charging & USB Cradle.....	5
1.1	Specification .....	5
1.2	Use Case.....	5
1.2.1	Fast Charging .....	5
1.2.2	Easy to use .....	5
2.	2 Slot Charging & Ethernet Cradle.....	6
2.1	Specification .....	6
2.2	Use Case.....	6
2.2.1	Fast Charging .....	6
2.2.2	Ethernet Connection and USB Sync.....	6
2.2.3	Easy to use .....	6
3.	8 Slot Charging Cradle.....	7
3.1	Specification .....	7
3.2	Use Case.....	7
3.2.1	Fast Charging .....	7
3.2.2	Easy to use .....	7
4.	8 Slot Charging & Ethernet Cradle.....	8
4.1	Specification .....	8
4.2	Use Case.....	8
4.2.1	Fast Charging .....	8
4.2.2	Ethernet Connection 4 Devices.....	8
5.	Trigger Handle .....	9
5.1	Specification .....	9
5.2	Use Case.....	9
5.2.1	Formal environment.....	9
5.2.2	Easy to use .....	9
5.2.3	How to combine .....	10
6.	Wire Plate.....	11
6.1	Specification .....	11
6.2	Use Case.....	11
6.2.1	Easy to use .....	11

6.2.2	How to combine .....	11
7.	Vehicle Cradle.....	12
7.1	Specification .....	12
7.2	Use Case.....	12
7.2.1	Vehicle environment .....	12
7.2.2	Easy to use .....	12
8.	Forklift Cradle .....	13
8.1	Specification .....	13
8.2	Use Case.....	13
8.2.1	Vehicle environment .....	13
8.2.2	Easy to use .....	13
9.	Contacts .....	14

## 1. 2 Slot Charging & USB Cradle

- Application Devices: UL20X / UL20F / UL20W



### 1.1 Specification

Model	2 Slot Charging & USB Cradle
I/O	DC / USB-C type Client / USB A Host
Input	DC 12V / 3A
Dimension	(W*D*H) = 125*172.3*96.09 mm
Weight	541g
Compatibility	UL20X / UL20F / UL20W

### 1.2 Use Case

#### 1.2.1 Fast Charging

Charging in about 4 Hours and 30 minutes (20 minutes deviation)

#### 1.2.2 Easy to use

- Connect UL20 to the Charging Cradle →
- Charging or Data Connection.



## 2. 2 Slot Charging & Ethernet Cradle

- Application Devices: UL20X / UL20F / UL20W



### 2.1 Specification

Model	2 Slot Charging & Ethernet Cradle
I/O	DC / USB-C type Client / USB A Host / RJ45
Input	DC 12V / 3A
Dimension	(W*D*H) = 125*172.3*96.09 mm
Weight	548g
Compatibility	UL20X / UL20F / UL20W

### 2.2 Use Case

#### 2.2.1 Fast Charging

Charging in about 4 Hours and 30 minutes (20 minutes deviation)

#### 2.2.2 Ethernet Connection and USB Sync

You can use Ethernet Cradle in various business.

USB Sync	Ethernet Connection
Data connection	You can use Local Area Network Via UL20 series with Ethernet Cradle

#### 2.2.3 Easy to use

- i. Connect UL20 to the Ethernet Cradle →
- ii. Charging or Data Connection.



### 3. 8 Slot Charging Cradle

- Application Devices: UL20X / UL20F / UL20W



#### 3.1 Specification

Model	8 Slot Charging Cradle
I/O	DIN4
Input	DC 12V / 12.5A
Dimension	(W*D*H) = 503*172.3*101.6 mm
Weight	1298g
Compatibility	UL20X / UL20F / UL20W

#### 3.2 Use Case

##### 3.2.1 Fast Charging

Charging in about 4 Hours and 30 minutes (20 minutes deviation)

##### 3.2.2 Easy to use

- Connect UL20 to the Charging Cradle →
- Charging or Data Connection.



## 4. 8 Slot Charging & Ethernet Cradle

- Application Devices: UL20X / UL20F / UL20W



### 4.1 Specification

Model	8 Slot Charging & Ethernet Cradle
I/O	DIN4 / RJ45
Input	DC 12V / 12.5A
Dimension	(W*D*H) = 503*172.3*101.6 mm
Weight	1317g
Compatibility	UL20X / UL20F / UL20W

### 4.2 Use Case

#### 4.2.1 Fast Charging

Charging in about 4 Hours and 30 minutes (20 minutes deviation)

#### 4.2.2 Ethernet Connection 4 Devices

You can use Ethernet Cradle in various business.

USB Sync	Ethernet Connection
Data connection	You can use Local Area Network Via UL20 series with 8 slot Ethernet Cradle

#### 4.2.3 Easy to use

- i. Connect UL20 to the 8 slot Ethernet Cradle →
- ii. Charging or Data Connection.





## 5. Trigger Handle

- Application Devices: UL20X / UL20F / UL20W



### 5.1 Specification

Model	Trigger Handle
I/O	N/A
Input	N/A
Dimension	(W*D*H) =84.37*115.91*148.07 mm
Weight	103g
Compatibility	UL20X / UL20F / UL20W

### 5.2 Use Case

#### 5.2.1 Formal environment

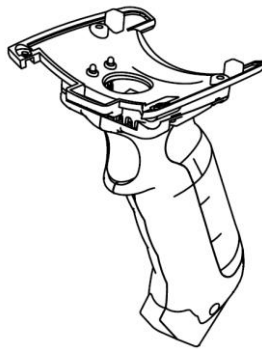
The trigger has essential functions properly in industrial environments.  
The design is ergonomically made by measurement in mechanical team.

#### 5.2.2 Easy to use

- Connect UL20 to the Trigger →
- Reading barcodes

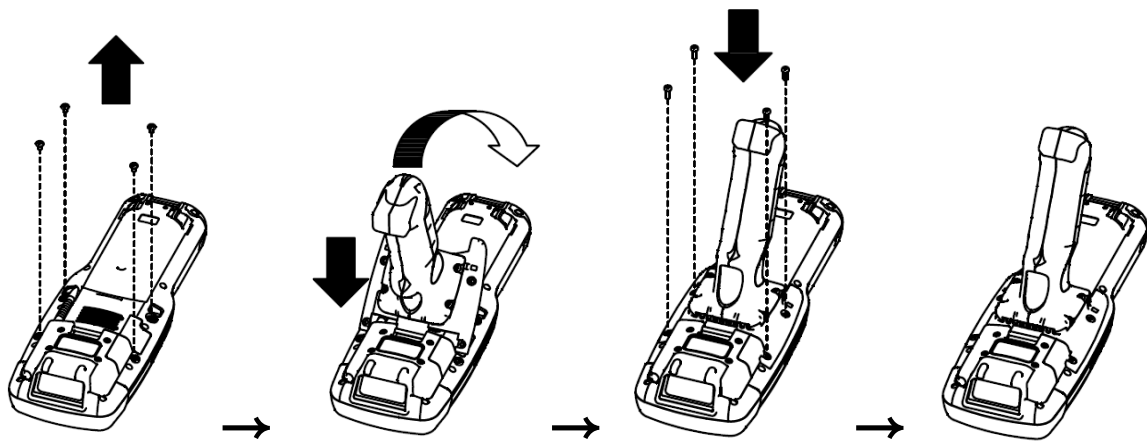


### 5.2.3 How to combine



(screw – 4ea)

- Trigger Handle Components:



- Loosen the four screws on the bottom of the product.
- Insert the Trigger Handle into the shaft at the bottom of the camera.
- Assemble with 4 screws supplied with the Trigger Handle.
- Installation of Trigger Handle.

## 6. Wire Plate

- Application Devices : UL20X / UL20F / UL20W



### 6.1 Specification

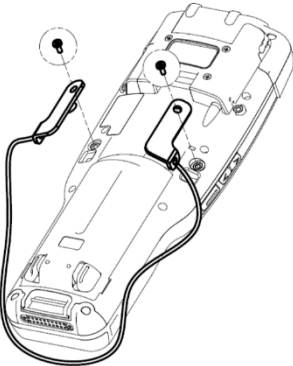
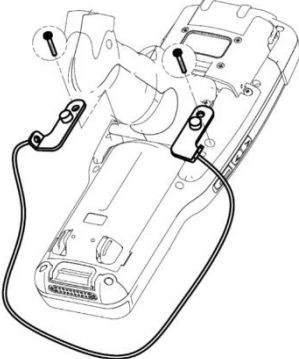
Model	Wire Plate
I/O	N/A
Input	N/A
Dimension	Wire rope : 1m / 2m
Weight	25g
Compatibility	UL20X / UL20F / UL20W

### 6.2 Use Case

#### 6.2.1 Easy to use

Wire plate allows you to move and use products conveniently by hanging them around your shoulders or neck without special fabric cases

#### 6.2.2 How to combine

 <p style="text-align: center;">UL20 only</p>	 <p style="text-align: center;">UL20 + Trigger Handle</p>
<p>Remove the old screw from the bottom of the product and assemble it as shown using the <b>short screw</b> for the wire plate.</p>	<p>Remove the old screw from the bottom of the product and assemble it as shown using the <b>long screw</b> for the wire plate.</p>

**Note! As the direction of assembling the wire plate is different, please refer to the picture.**

## 7. Vehicle Cradle

- Application Devices : UL20X / UL20F / UL20W



### 7.1 Specification

Model	Vehicle Cradle
I/O	DC / USB
Input	DC 5V / 2A
Dimension	(W*D*H) =60*82*278 mm
Weight	380g
Compatibility	UL20X / UL20F / UL20W

### 7.2 Use Case

#### 7.2.1 Vehicle environment

- Top holder tightly grip the terminal considering size of the terminal.
- 3 Type Ram mount: Longest ram mount can be used in big truck.

#### 7.2.2 Easy to use



Vehicle Cradle (one body)



Vehicle Ram Mount (suction / screw type)

## 8. Forklift Cradle

- Application Devices : UL20X / UL20F / UL20W



### 8.1 Specification

Model	Forklift Cradle
I/O	DC / USB
Input	DC 12V / 3A
Dimension	(W*D*H) =60*82*278 mm
Weight	380g
Compatibility	UL20X / UL20F / UL20W

### 8.2 Use Case

#### 8.2.1 Vehicle environment

- Top holder tightly grip the terminal considering size of the terminal.
- There is a dedicated charging cable for forklift cradle.

#### 8.2.2 Easy to use

- Attach the cradle to the forklift truck as shown in the picture below.



## 9. Contacts

[www.m3mobile.net](http://www.m3mobile.net) / [www.m3mobile.co.kr](http://www.m3mobile.co.kr)

### **Headquarter**

Seoul Korea  
+82-2574-0037  
sales@m3mobile.co.kr

### **Factory/Service Center**

Bucheon Korea  
+82-32-623-0037  
cs@m3mobile.co.kr

### **EU Headquarter**

Frankfurt Germany  
+49-6190-8021829  
sales\_all@m3mobile.co.kr